



Are you troubled by the following ?

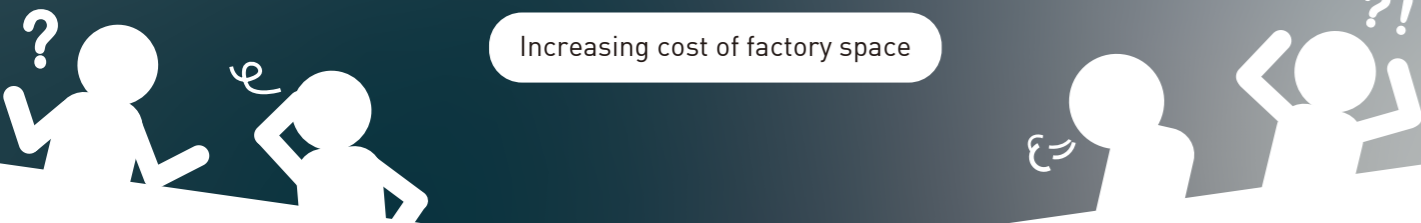
Continuous loading and unloading during production process will affect the accuracy of the workpiece, it may also cause damage.

As the wear caused by machining increases over-time, the accuracy of Rotary Table will decrease and accuracy of workpiece will be unstable

Traditional Mechanical Rotary Table is very time consuming, every time you need to accuracy calibration.

When there are multiple workstations, the storage space during offloading after each workstation will make the shopfloor looks disorganized.

Increasing cost of factory space



Leave all these troubles to **HIWIN Torque Motor Rotary Table**

✓ **Stable Machining Quality**

HIWIN Rotary Table is equipped with Torque Motor, which unlike the traditional mechanical type Rotary Table, has advantage of zero friction, zero backlash. There is no need to calibrate accuracy, can reduce maintainance cost, repair cost and increase service life.

✓ **Enhance machining accuracy and efficiency**

Assist in upgrade of 3 Axis machine to 3+1 or 3+2, to achieve higher stability in machining quality.

✓ **Save Space**

Machining of complex workpiece can be done in one machine. Upgrade to 4/5 Axis Machine with HIWIN Rotary Table for one stop solution.

✓ **Save Labor Cost**

Production line upgrade, one time machining, reduce loading and unloading frequency, save manpower and time

Product features

Advantages of Torque Motor Rotary Table

For smooth and complex surface processing, with high-quality accuracy. Specialist in Synchronised machining, available from small to big size table or customized as per your preference.

Why?

- ▶ Suitable for all kinds of five axis machining
- ▶ Module design and Torque Motor with simple structure
- ▶ Customizable and interchangeable table sizes as per requirements
- ▶ High acceleration, High rigidity and High accuracy
- ▶ Improved efficiency, Improved productivity
- ▶ Compact structure, Zero backlash, High stability and Long life
- ▶ In-built strong clamping system
- ▶ Coordinates with all major controllers

HIWIN® Rotary tables are directly driven and comes with our own Torque Motors !

- ▶ Water cooled designed.
- ▶ Hollow axis
- ▶ Maximum torque upto 5020Nm
- ▶ Suitable for multi-axis machining, tool manufacturing, tool storage system, gear hobbing machines, screen printing, customized 3C electronic manufacturing, etc..



RAB Series

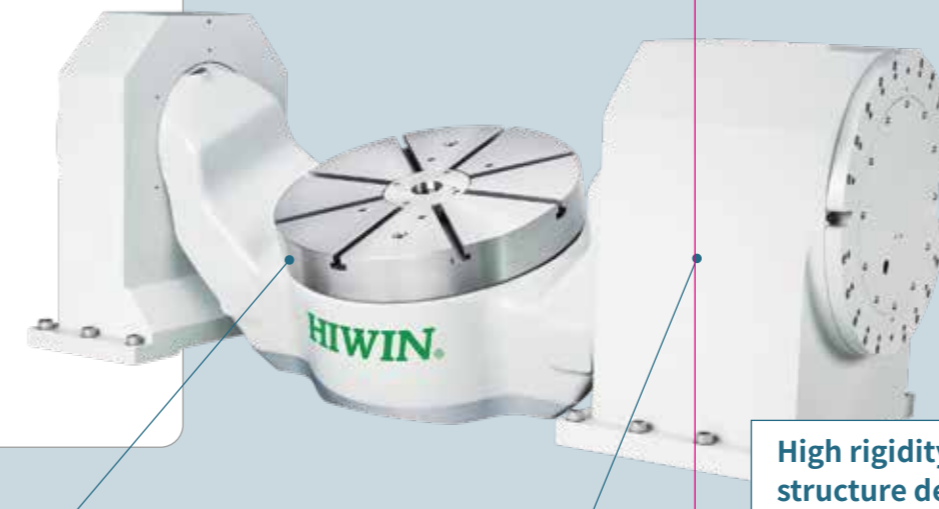


Dual Axis Dual Arm

- ▶ High positioning accuracy, suitable for high precision synchronised machining
- ▶ Varieties of table types available, can be customized as per requirements
- ▶ Precisely and controllable tilting angle
- ▶ Suitable for all types of control systems

Available table sizes (mm) : 170 / 200 / 250 / 320 / 400 / 500 / 630 / 800

Applications : Metal machining, Mold manufacturing, Laser Engraving, Welding equipment, Forging parts machining, etc..



High rigidity structure design

▶ Rotary axis

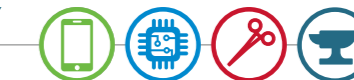
Adapting high precision bearing with high axial and radial rigidity and hollow center.

▶ Tilting axis

Adapting high precision bearing with high axial and radial rigidity



RAS Series



Dual Axis Single Arm

- ▶ Single arm rotary tables with compact structure, design suitable for five axis machines with limited space design.
- ▶ Backlash free transmission, improving machining accuracy and surface finishing
- ▶ High response synchronized performance



Available table sizes (mm) : 125 / 170 / 250 / 320 / 400 / 500 / 630 / 720

Applications : Metal machining, Mold manufacturing, Laser Engraving, Sandblasting machines, Welding equipment, Forging parts machining, Jewelry processin etc..

RCV Series



Vertical Single Axis

- ▶ Direct drive mechanism, reducing overall inertia and increasing acceleration.
- ▶ High precision encoders providing high accuracy positioning.
- ▶ Excellent option for Machine upgrading to 3+1 axis.



Available table sizes (mm) : 125 / 170 / 250 / 320

Applications : Metal machining, Mold manufacturing, Soft metal machining, EDM, SPM, Automation equipment, Inspection equipment, etc..

RCH Series



Horizontal Single Axis

- ▶ High dynamic positionng rotary table.
- ▶ Permits runout accuracy.
- ▶ Mill. turn and grind machine applications.



Available table sizes (mm) : 200 / 400 / 600 / 800

Applications : Metal machining, Mold manufacturing, Appearance inspection, Chemical-Mechanical Polishing (CMP), etc..

Drive the upgrade of processing machines

Small quantity of diversified and complex shapes of component parts are becoming more and more complicated to manufacture. There are more procedure and harder to manufacture, which increase and processing costs. HIWIN's rotary table solution saves costs and improves production efficiency, winning the trust of customers.



Automotive industry

RCV-H series suitable for milling spindle heads



A machine manufacturer for auto part uses HIWIN Torque Motor rotary table as the milling spindle head.

- ✓ Suitable for machining center, drilling and tapping machines, engine, gearboxes, crankshafts, clutches, tire mold.



Total Solution

Single-axis robots / Ballscrew / Linear guideway / Bearings

RCV series suitable for four-axis or 3+1 axis



3C industry
Soft metal machining

※3C : computer / cell phone / appliances



Consumers are increasingly demanding for product aesthetics. Therefore, machine manufacturers continuously facing the challenge of machine upgrades.

An European metal processing machine manufacturer developed the machine, which equipped with HIWIN RCV-170 to produce automotive metal mold, which provide turn-key solution and achieve curve shape with fine surface in single process.

- ✓ Suitable for machining center and engraving machines. Aluminum processing, smart phones / 3C component, laser parts processing, precision equipment, textile machine parts, bicycle parts, etc.,



Total Solution

Single-axis robots
Ballscrew
Linear guideway
Bearings



Other metal machining industry

RAB/RAS series suitable for 5 axis machine center



For customer's 5 axis machine center, HIWIN provides the total solution and helps customer to complete the design.

- ✓ Suitable for curve mold and graphite machining. Medical, 3D printing, auto and metal parts machining.



Total Solution

Ballscrew / Linear guideway / Bearings / DATORKER robot reducer / Industrial robot



RCH series suitable for wafer inspecting machine



Electronic equipment industry

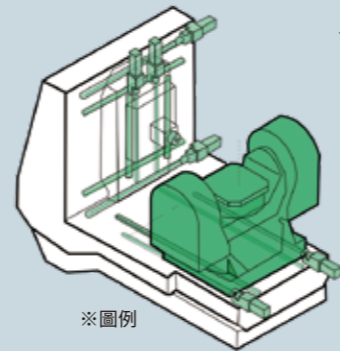
- ✓ Suitable for large work platform, wafer grinding and polishing, inspecting and measuring equipment.

Total Solution

Wafer robot / EFEM / Servo motor / Ballscrew / Linear guideway / Bearings / DATORKER Rotary Actuator

Not just a rotary table !!

HIWIN® Total Solution



※圖例

The best partner of upgradation and transformation

HIWIN master the ability of the mechatronic system integration. Provides pre-sale service to help customers for evaluation, product selection, structure testing then to the application technology exchange after sale. HIWIN also provides total solution, uphold the spirit of manufacturing service, committed to improvement of the competitiveness of customers' machine, creating innovative value services for valued customers

Automation Solution



Articulated Robot Delta Robot SCARA Robot Wafer Robot Electric Gripper Smart Warehouse

Electromechanical Solution



Torque Motor Direct Drive Motor Linear Motor Stage Linear Motor Motion Controller Servo Drive AC Servo Motor



Linear Guideway Ballscrew Ball Spline Single-Axis Robot Cross Roller Bearing Support Unit BSB DATORKER® Rotary Actuator DATORKER® Robot Reducer

HIWIN® Motion Control and System Technology

歡迎與我們聯繫！



Global Headquarters

HIWIN TECHNOLOGIES CORP.
No. 7, Jingke Road,
Taichung Precision Machinery Park,
Taichung 408225, Taiwan
Tel : +886-4-23594510
Fax: +886-4-23594420
www.hiwin.tw
business@hiwin.tw

Affiliated Business

HIWIN MIKROSYSTEM CORP.
No.6, Jingke Central Rd.,
Taichung Precision Machinery Park,
Taichung 408226, Taiwan
Tel : +886-4-23550110
Fax: +886-4-23550123
www.hiwinmikro.tw
business@hiwinmikro.tw

Global Sales and Customer Service Site

HIWIN Germany www.hiwin.de	HIWIN Japan www.hiwin.co.jp	HIWIN USA www.hiwin.com	HIWIN Italy www.hiwin.it
HIWIN Switzerland www.hiwin.ch	HIWIN Czech www.hiwin.cz	HIWIN France www.hiwin.fr	HIWIN Singapore www.hiwin.sg
HIWIN Korea www.hiwin.kr	HIWIN China www.hiwin.cn	Mega-Fabs Israel www.mega-fabs.com	

Transformation Window of Opportunities for Machine Users



TORQUE MOTOR ROTARY TABLE

HIWIN®

iNDUSTRIE 4.0 Best Partner

